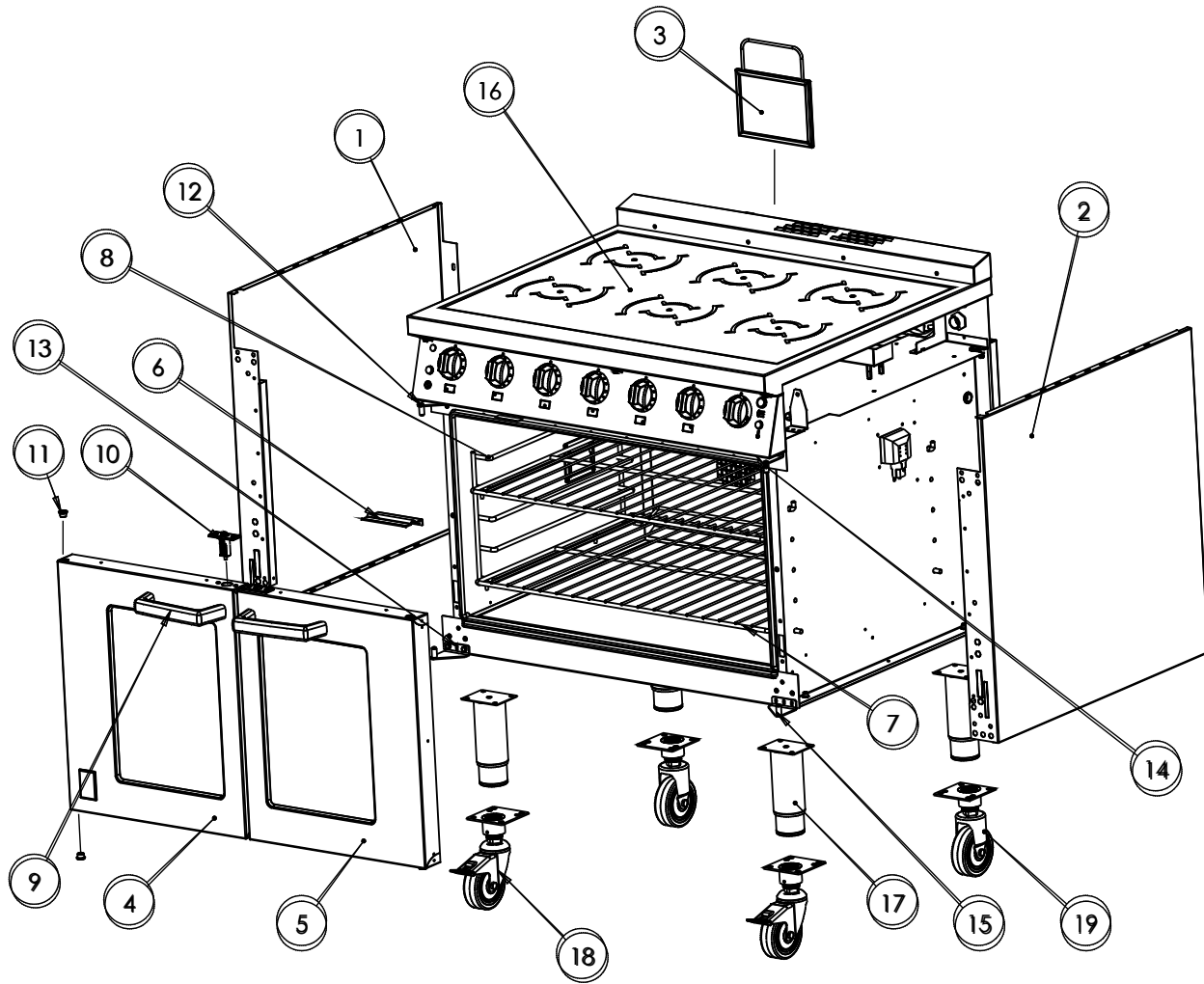




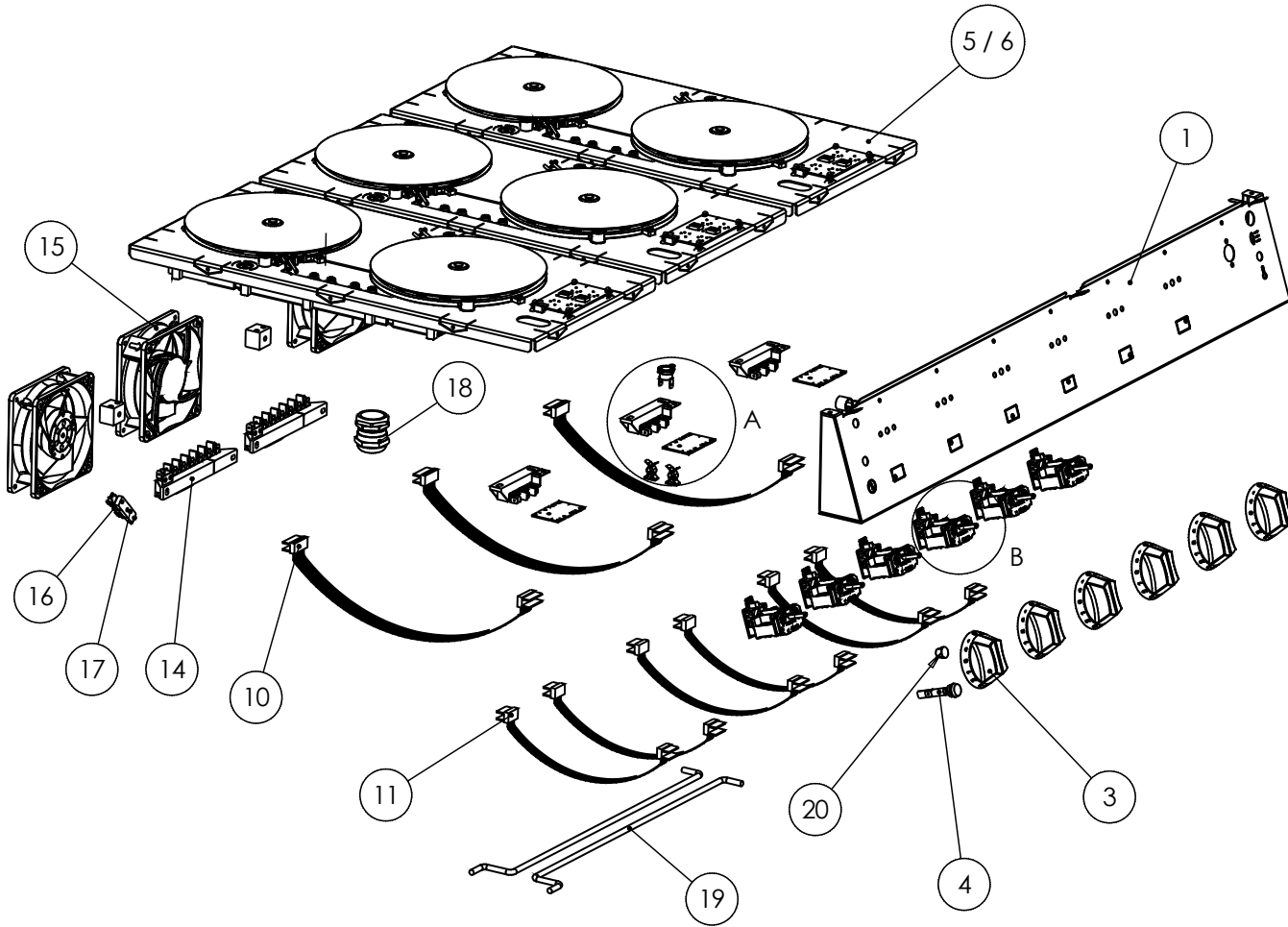
# E161i / E163i - SPARES - FITMENTS



ITEM No	DESCRIPTION	SPARES CODE
1	LH OUTER SIDE PANEL	535200000
2	RH OUTER SIDE PANEL	535200001
3	AIR FILTER	733990013
4	LH DOOR ASSEMBLY	535300003
5	RH DOOR ASSEMBLY	535300002
6	OVEN DOOR LATCH & SHIM	535200013
7	OVEN SHELF	525290004
8	SHELF HANGER	535200012
9	OVEN HANDLE	733990018
10	DOOR CATCH	535480054
11	DOOR HINGE BUSH	537101290
12	LH TOP DOOR HINGE	535200006
13	LH BOTTOM DOOR HINGE	535200007
14	RH TOP DOOR HINGE	535200008
15	RH BOTTOM DOOR HINGE	535200009
16	INDUCTION HOB & CRADLE ASSY	733990014
17	ST/ST ADJUSTABLE LEG	535480067
18	CASTOR ASSEMBLY - SWIVEL	530964350
19	CASTOR ASSEMBLY - FIXED	535290031

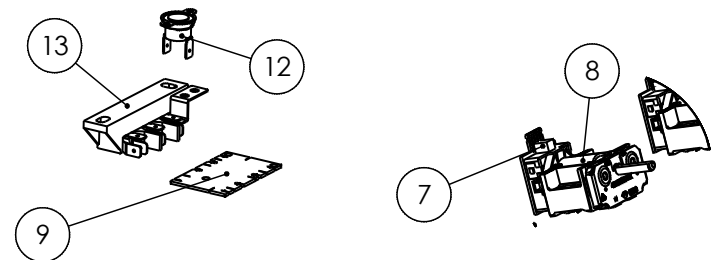


# E161i / E163i - SPARES - CONTROLS



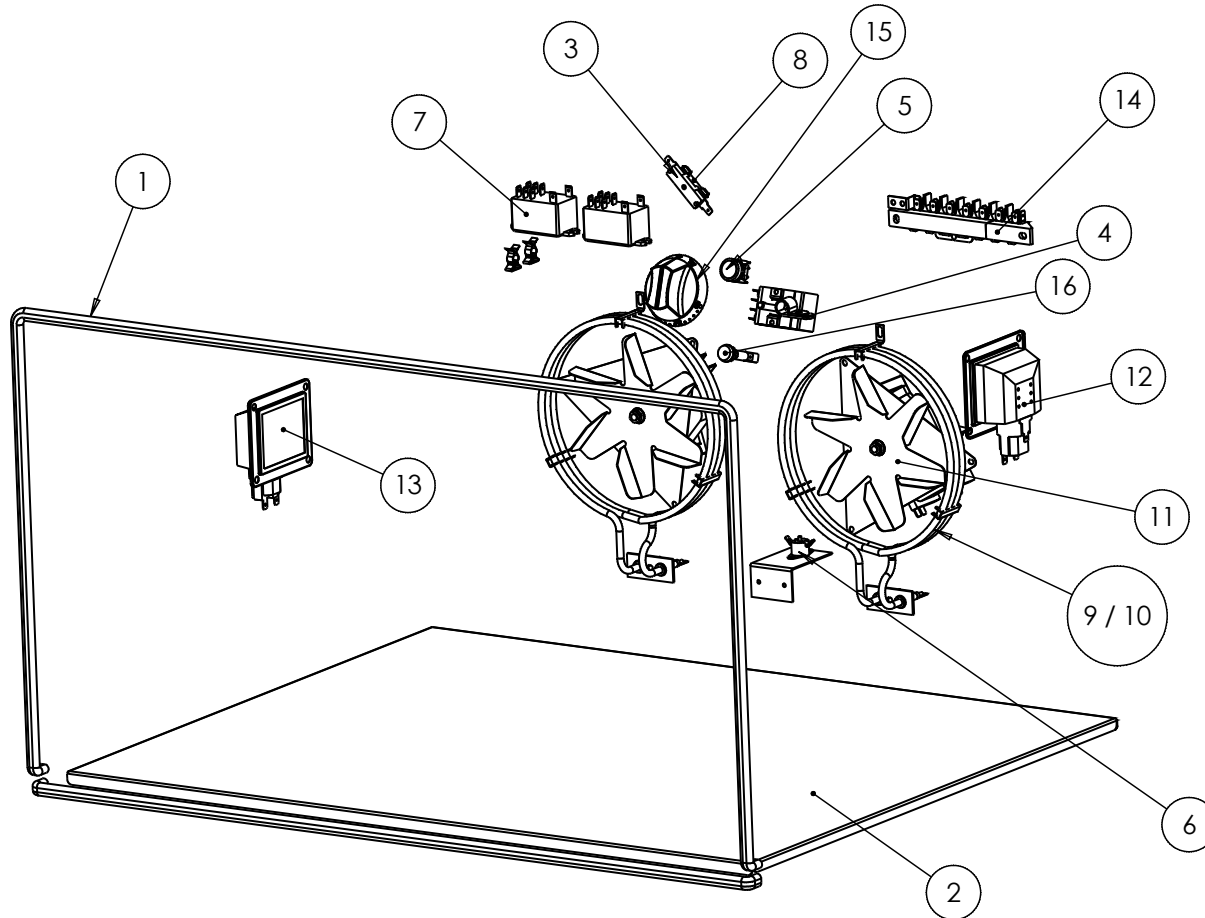
FOR OVEN SPARES SEE: AA56126  
FOR FITMENT SPARES SEE: AA56107

ITEM No	DESCRIPTION	E161i	E163i
1	CONTROL PANEL ASSEMBLY	733990001	N/A
2	CONTROL PANEL ASSEMBLY	N/A	733990002
3	INDUCTION CONTROL KNOB	733990003	
4	MAINS PILOT LIGHT (RED)	730962010	
5	INDUCTION HEATER (13A)	733990004	N/A
6	INDUCTION HEATER (16A)	N/A	733990005
7	CODING SWITCH	733990006	
8	SWITCH SPACER	733990007	
9	SPLITTER BOARD	733990008	
10	8 POLE CABLE	733990009	
11	5 POLE CABLE	733990010	
12	HOB COOLING FAN THERMOSTAT	733990011	
13	MAINS TERMINAL (3 WAY)	732910270	
14	MAINS TERMINAL (7 WAY)	734000075	
15	REAR COOLING FAN	735400360	
16	FUSE 5A	536430009	
17	FUSE HOLDER	734310510	
18	CABLE GLAND	731350026	
19	HOB STAY ROD	733990012	
20	BLANKING PLUG	N/A	733990013
21	DUAL SUPPLY TO SINGLE SUPPLY CONVERSION KIT (SINGLE PHASE ONLY)	733990015	N/A
24	---		
25	CLIP NYLENTIC SUPPORT		





# E161i / E163i - SPARES - OVEN



ITEM No	DESCRIPTION	E161i	E163i
1	DOOR SEAL ASSEMBLY	535210001	
2	OVEN BOTTOM PANEL	535210002	
3	FUSE HOLDER	734310510	
4	OVEN CONTROL THERMOSTAT	535420006	
5	LIGHT SWITCH	535500037	
6	OVEN SAFETY THERMOSTAT	535420015	
7	OPERATING OR SAFETY RELAY	734243005	
8	FUSE 2A	734243006	
9	ELEMENT OVEN 2KW	733990000	N/A
10	ELEMENT OVEN 3.2KW	N/A	535420009
11	OVEN FAN	535420010	
12	OVEN LAMP C/W GLASS	732910390	
13	OVEN LIGHT BULB	734350190	
14	MAINS TERMINAL	734000075	
15	OVEN CONTROL KNOB	535300004	
16	AMBER INDICATOR	730962040	

FOR CONTROL SPARES SEE: AA56106  
 FOR FITMENT SPARES SEE: AA56107